

THE ORIGINAL DOWN PRESSURE DRILL

The safest most powerful planetary auger drive attachment range for tractors on the market today. The hydraulic ram provides maximum down pressure for the auger utilising the full weight of the machine.



PHD
HYDRAULIC



PTO
SHAFT DRIVEN

FEATURES

- 3 DIFFERENT BUILD OPTIONS FOR EACH MODEL
- HEAVY DUTY FULLY ADJUSTABLE FRAME
- EATON QUALITY MOTOR
- DIGGA HYDRAULIC GEARBOX ELIMINATES THE NEED FOR A PTO SHAFT
- ADJUSTABLE BUILT-IN STABILISER LEGS FOR STORING EASE & FITMENT
- IDEAL FOR TRACTORS WITH 2 DOUBLE ACTING AUXILIARY PORTS

FEATURES

- 3 DIFFERENT BUILD OPTIONS FOR EACH MODEL
- HEAVY DUTY FULLY ADJUSTABLE FRAME
- PTO DRIVEN GEARBOXES AVAILABLE FOR 50HP & 75HP TRACTORS
- ADJUSTABLE BUILT-IN STABILISER LEGS FOR STORING EASE & FITMENT
- IDEAL FOR TRACTORS WITH A SINGLE AUXILIARY PORT
- AUSTRALIAN MADE QUALITY

ALSO AVAILABLE
3 POINT LINKAGE



Contact your local professional dealer or contact Digga direct

THE BEST DOWNUNDER

DIGGA

PHONE: 1300 2 DIGGA EMAIL: info@digga.com WEB: www.digga.com

QLD, NT
4 Octal Street
Yatala QLD 4207

NSW, ACT
Unit 2, 36 Bluett Drive
Smeaton Grange NSW 2567

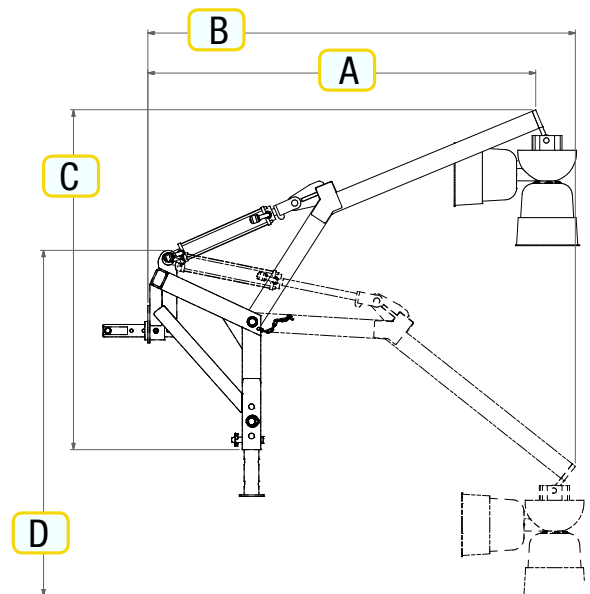
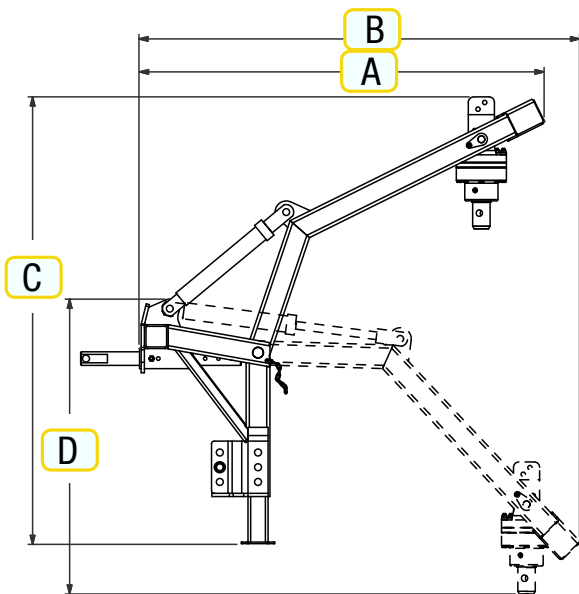
VIC, SA, TAS
27 Metcalf Street
Dandenong VIC 3175

WA
6/15 Yampi Way
Willetton WA 6155

AUTHORISED
DIGGA DEALER

RAMDRILL - HYDRAULIC & SHAFT DRIVEN POST HOLE BORING / FENCING / TREE PLANTING

DIGGA



SPECS

	PHD	PTO
Length (A)	1511mm	1640mm
Length (B)	1650mm	1759mm
Length (C)	1669-2049mm	1395-1755mm
Height (D)	1095mm	1411mm
Overall Width	860mm	862mm
Aux Circuits Required	2	1
Flow	30-60lpm 45-85lpm 60-115lpm	n/a
Speed	40-81rpm 40-91rpm 55-107rpm	n/a
Weight	245kg	217kg (50hp) 250kg (75hp)

**POST HOLE BORING
TREE PLANTING
FENCING**

Contact your local professional dealer or contact Digga direct

THE BEST DOWNUNDER

DIGGA

PHONE: 1300 2 DIGGA EMAIL: info@digga.com WEB: www.digga.com

QLD, NT
4 Octal Street
Yatala QLD 4207

NSW, ACT
Unit 2, 36 Bluett Drive
Smeaton Grange NSW 2567

VIC, SA, TAS
27 Metcalf Street
Dandenong VIC 3175

WA
6/15 Yampi Way
Willetton WA 6155

AUTHORISED
DIGGA DEALER

Digga's 3 Point Linkage is ideal for those who need the post hole boring application without the power of the Ramdrill.

Features:

- 3 models with 25HP, 50HP, and 75HP PTO driven motors.
- 1m long auger retaining chain.
- Heavy duty, yet economical.

Ideal Use:

Post hole boring for trees, fences, posts, etc.

Machine Suitability:

Suits all tractors from 25HP to 75HP



Range:

Specifications:	25HP TRACTORS	50HP TRACTORS	75HP TRACTORS
Part Numbers	TP-000015	TP-000016	TP-000017
Length (Overall)	2318mm	2318mm	2318mm
Height (Overall)	897mm	897mm	897mm
Width (Overall)	671mm	671mm	671mm

Also Available



Ramdrill PHD and Ramdrill PTO Models also available

Contact your local professional dealer or contact Digga direct

THE BEST DOWNUNDER

DIGGA

PHONE: 1300 2 DIGGA

EMAIL: info@digga.com

WEB: www.digga.com

QLD, NT

4 Octal Street
Yatala QLD 4207

NSW, ACT

Unit 2, 36 Bluett Drive
Smeaton Grange NSW 2567

VIC, SA, TAS

27 Metcalf Street
Dandenong VIC 3175

WA

6/15 Yampi Way
Willeton WA 6155



AUTHORISED
DIGGA DEALER